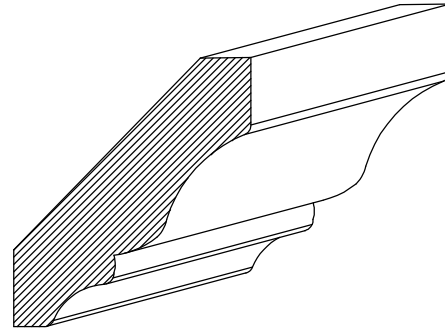
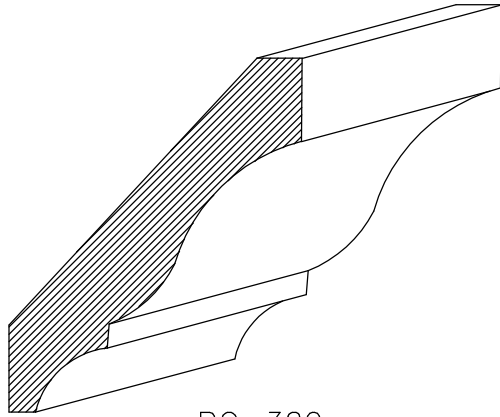


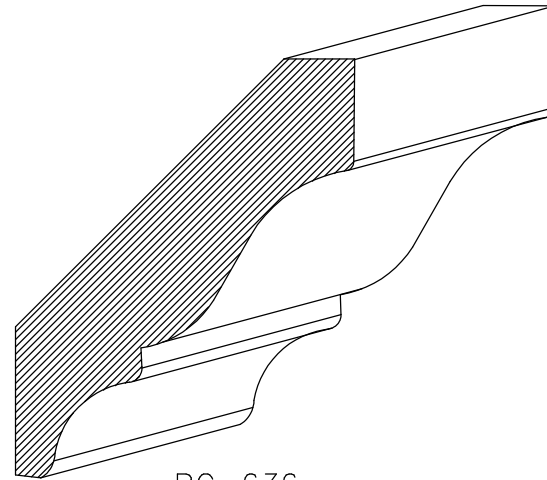
BC-666  
 $\frac{1}{2}'' \times 1\frac{5}{8}''$



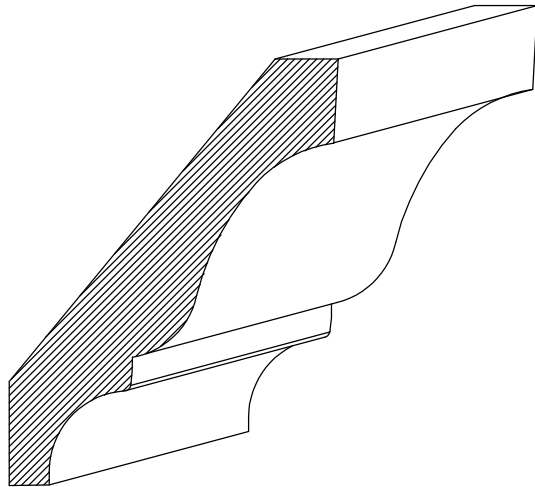
BC-096  
 $\frac{1}{2}'' \times 2\frac{1}{4}''$



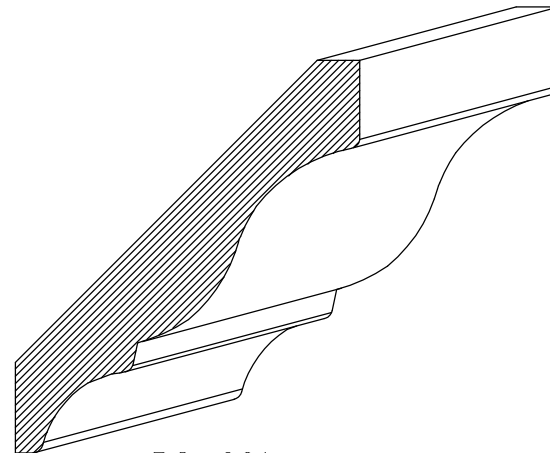
BC-320  
 $\frac{1}{2}'' \times 2\frac{3}{4}''$



BC-636  
 $\frac{3}{4}'' \times 3\frac{1}{4}''$

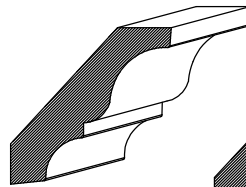


BC-152  
 $\frac{5}{8}'' \times 3\frac{1}{4}''$

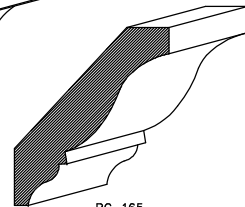


BC-061  
 $\frac{3}{4}'' \times 3\frac{1}{4}''$

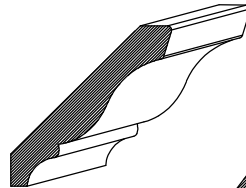
C - 2



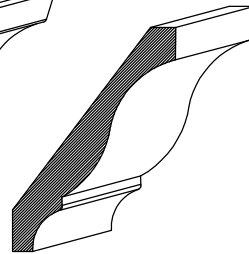
BC-429  
 $\frac{1}{2}'' \times 3\frac{1}{2}''$



BC-165  
 $\frac{1}{2}'' \times 3\frac{3}{8}''$

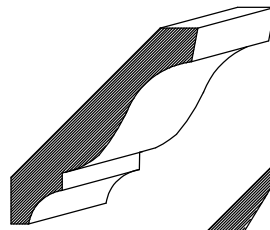


BC-223  
 $\frac{3}{8}'' \times 3\frac{1}{2}''$

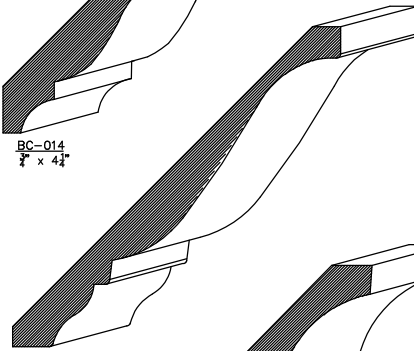


BC-153  
 $\frac{1}{2}'' \times 4\frac{1}{4}''$

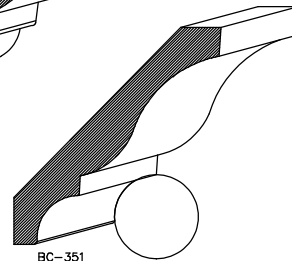
C - 3



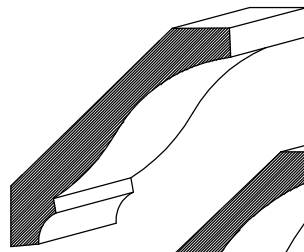
BC-014  
 $\frac{3}{4}$ " x  $4\frac{1}{4}$ "



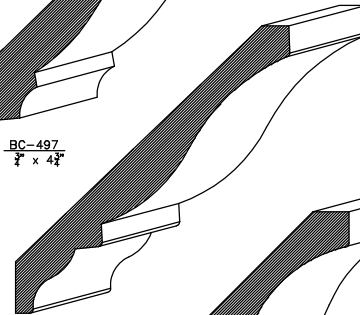
BC-017  
 $\frac{3}{4}$ " x  $7\frac{1}{2}$ "



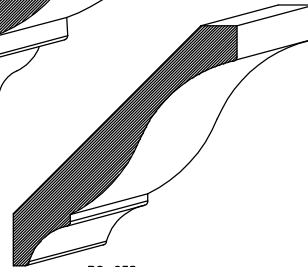
BC-351  
 $\frac{3}{4}$ " x  $4\frac{1}{8}$ "



BC-497  
2" x 4 1/2"

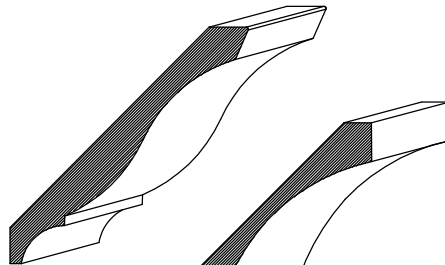


BC-563  
2" x 6 1/2"

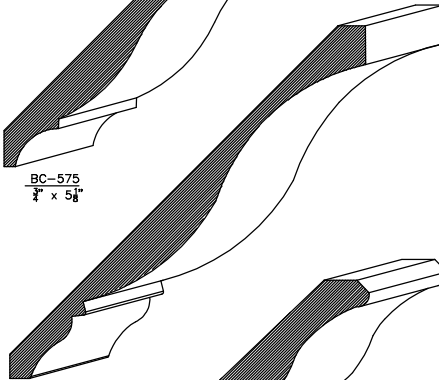


BC-038  
2" x 5"

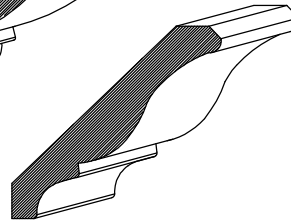
C - 5



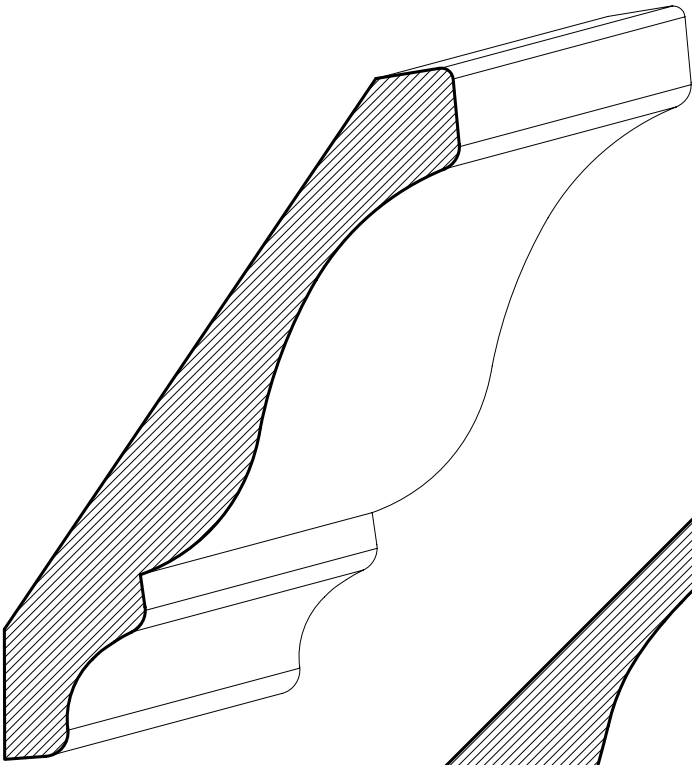
BC-575  
 $\frac{3}{4}'' \times 5\frac{1}{8}''$



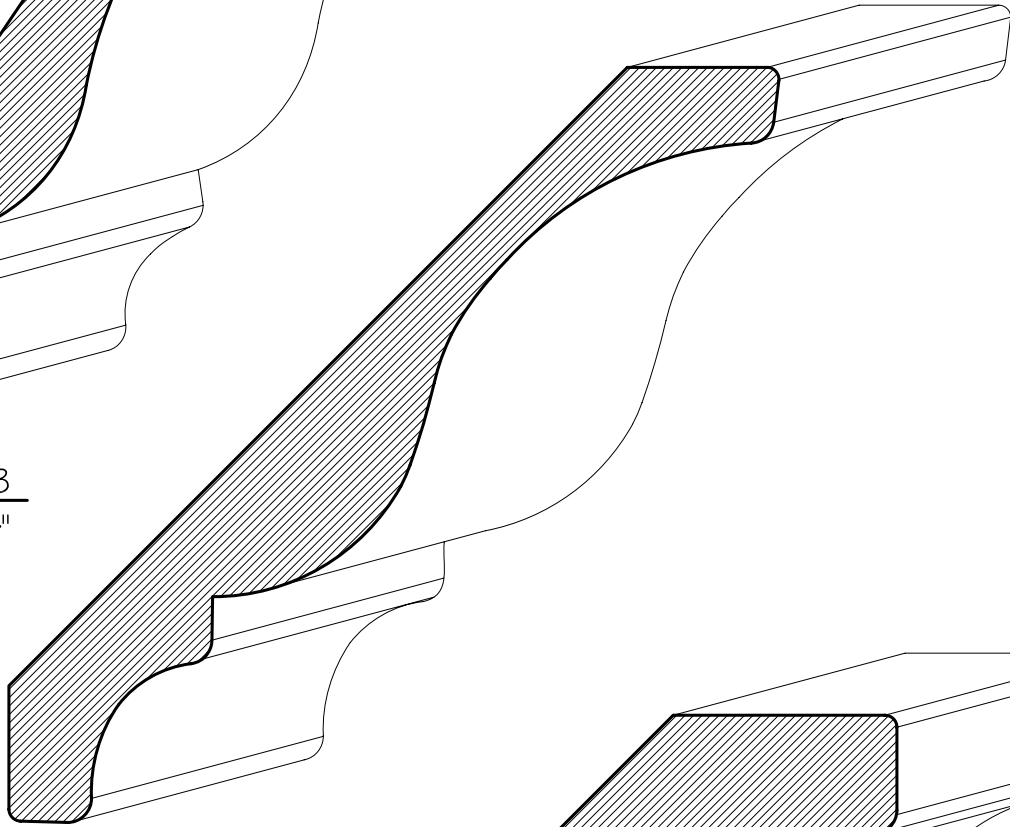
BC-133  
 $\frac{3}{4}'' \times 8''$



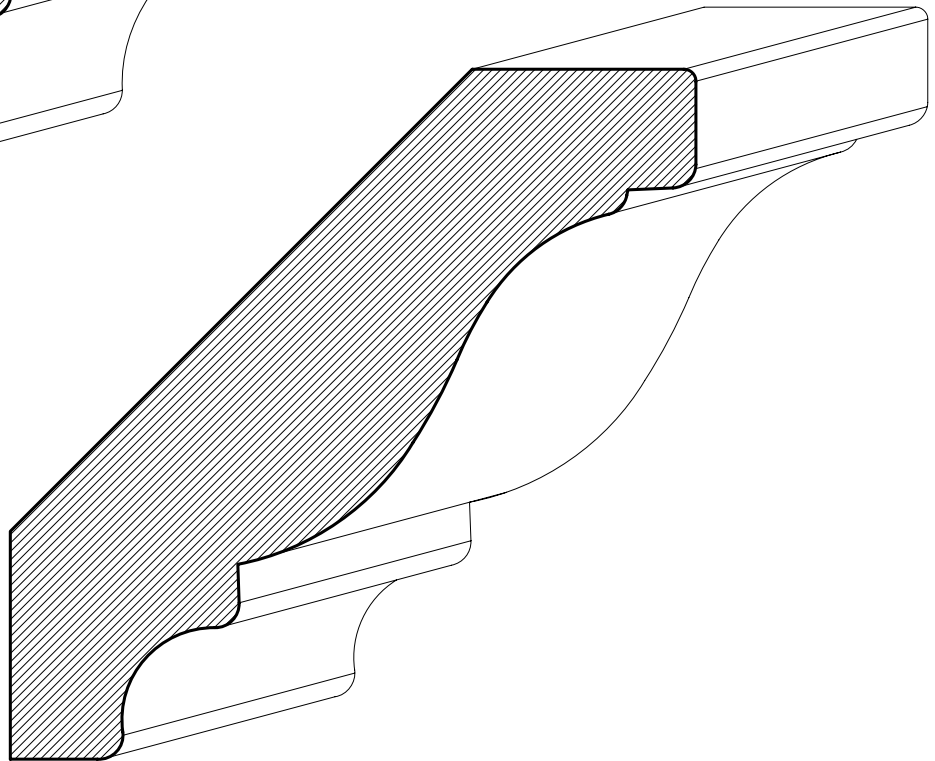
BC-085  
 $\frac{3}{4}'' \times 4\frac{1}{4}''$



BC-153  
 $\frac{5}{8}'' \times 4 \frac{1}{4}''$

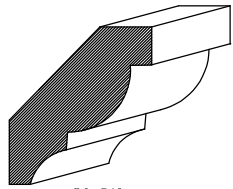


BC-227  
 $\frac{3}{4}'' \times 5 \frac{1}{2}''$

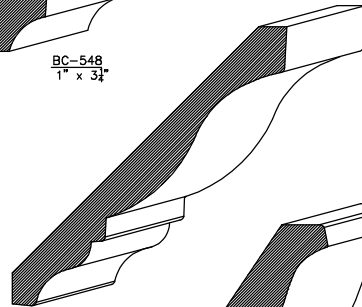


BC-386  
 $1 \frac{1}{8}'' \times 5''$

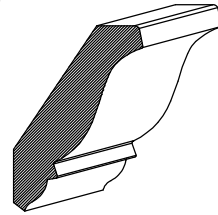
C-7



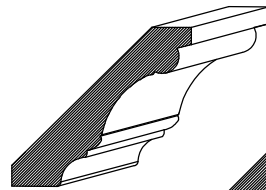
BC-548  
1" x 3 $\frac{1}{4}$ "



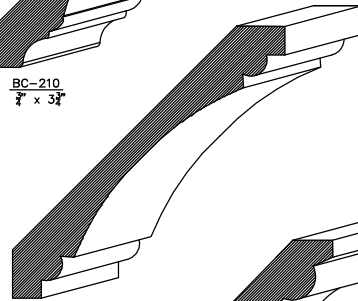
BC-663  
 $\frac{1}{2}$ " x 6"



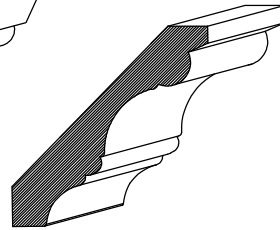
BC-692  
 $\frac{3}{4}$ " x 3 $\frac{1}{4}$ "



BC-210  
 $\frac{3}{4}'' \times 3\frac{3}{4}''$

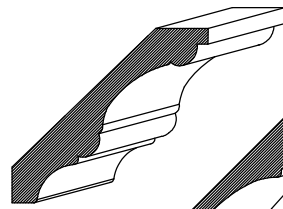


BC-134  
 $\frac{7}{8}'' \times 6''$

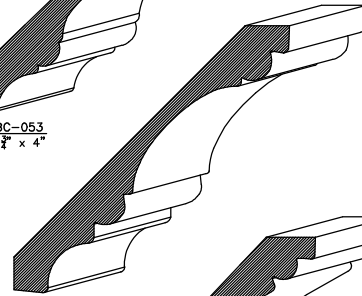


BC-214  
 $\frac{3}{4}'' \times 4\frac{3}{8}''$

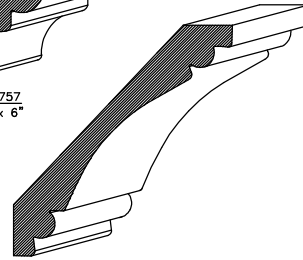




BC-053  
1/2" x 4"

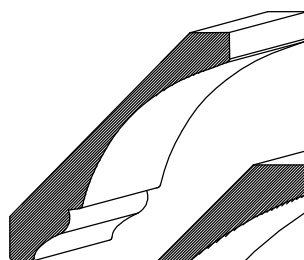


BC-757  
1 1/8" x 6"

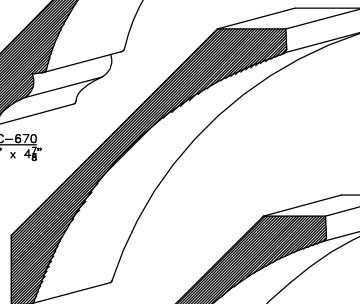


BC-722  
1/2" x 5"

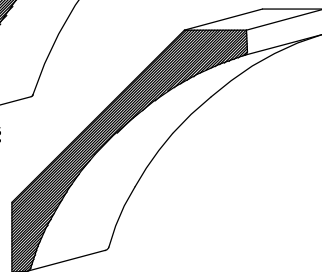
C -10



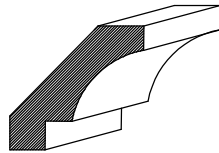
BC-670  
 $\frac{3}{4}$ " x  $4\frac{7}{8}$ "



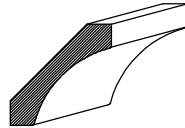
BC-723  
1" x 6"



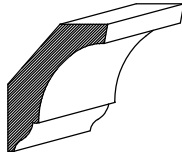
BC-721  
1" x 5"



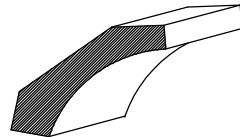
BC-540  
 $\frac{3}{4}'' \times 2\frac{1}{4}''$



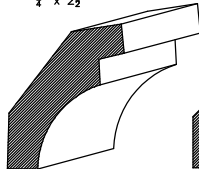
BC-262  
 $\frac{1}{2}'' \times 2\frac{1}{4}''$



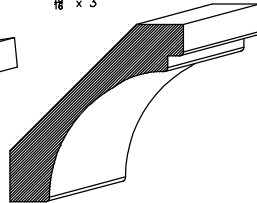
BC-186  
 $\frac{1}{4}'' \times 2\frac{1}{2}''$



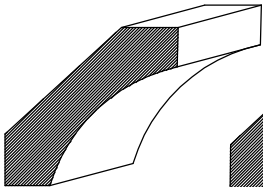
BC-403  
 $\frac{1}{8}'' \times 3''$



BC-402  
 $\frac{7}{8}'' \times 2\frac{1}{8}''$

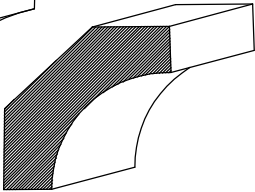


BC-033  
 $\frac{1}{8}'' \times 3\frac{1}{8}''$



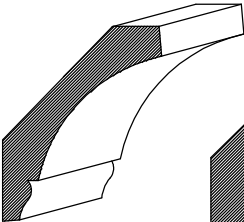
BC-412

1" x 3 3/8"



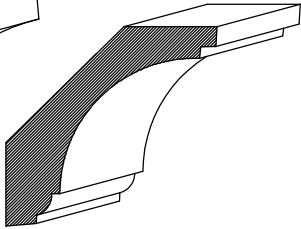
BC-494

1 1/4" x 3 3/8"



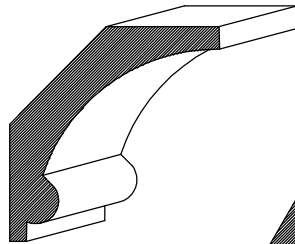
BC-560

1" x 3 1/2"

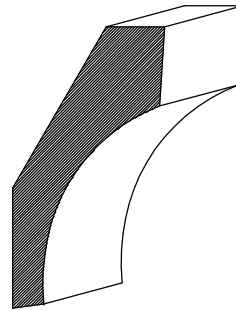


BC-493

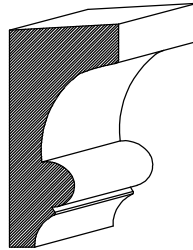
1" x 4 1/4"



BC-556  
 $1\frac{1}{2}'' \times 4\frac{5}{8}''$

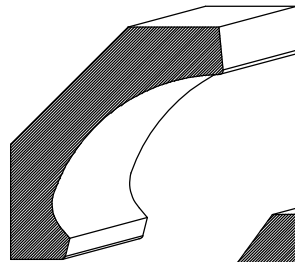


BC-338  
 $1\frac{1}{2}'' \times 4\frac{1}{2}''$

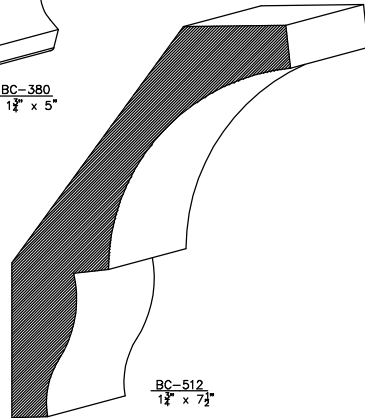


BC-339  
 $1\frac{1}{8}'' \times 3\frac{7}{16}''$

C - 14

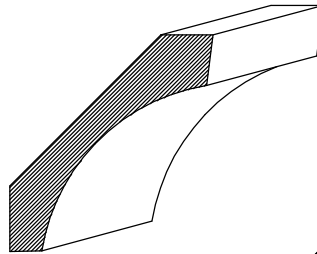


BC-380  
 $1\frac{1}{2}'' \times 5''$

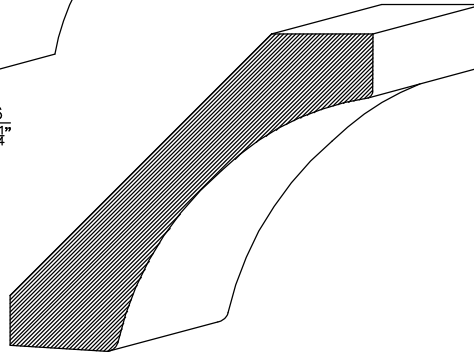


BC-512  
 $1\frac{1}{2}'' \times 7\frac{1}{2}''$

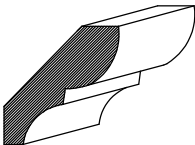
C -15



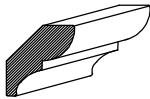
BC-616  
 $\frac{3}{4}$ " x  $3\frac{1}{4}$ "



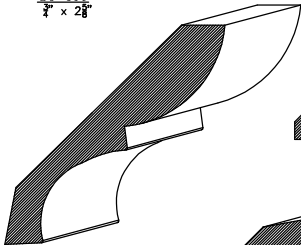
BC-754  
 $1\frac{1}{4}$ " x  $5\frac{1}{4}$ "



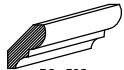
BC-390  
 $\frac{1}{2}'' \times 2\frac{1}{8}''$



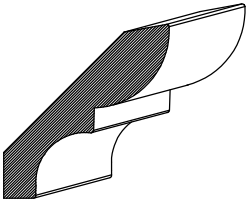
BC-200  
 $\frac{1}{2}'' \times 1\frac{1}{8}''$



BC-221  
 $\frac{1}{8}'' \times 4\frac{1}{8}''$

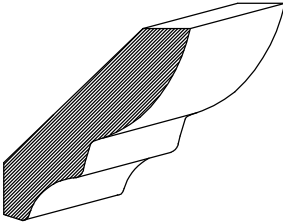


BC-398  
 $\frac{1}{8}'' \times \frac{1}{4}''$

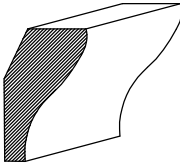


BC-222  
 $\frac{1}{2}'' \times 3\frac{1}{4}''$

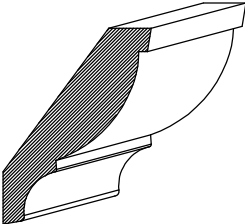




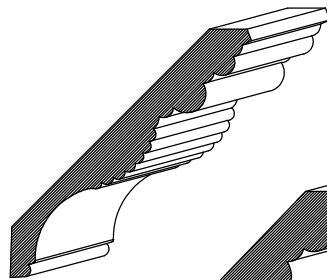
BC-740  
 $\frac{1\frac{3}{8}''}{1\frac{3}{8}''} \times 3\frac{1}{4}''$



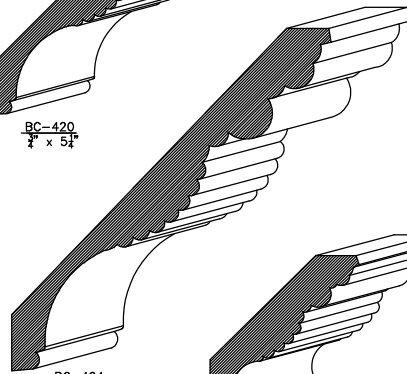
BC-409  
 $\frac{3}{4}'' \times 2''$



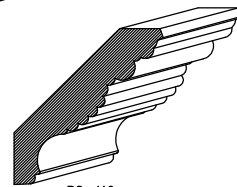
BC-558  
 $\frac{3}{4}'' \times 3\frac{3}{8}''$



BC-420  
3" x 5 1/4"

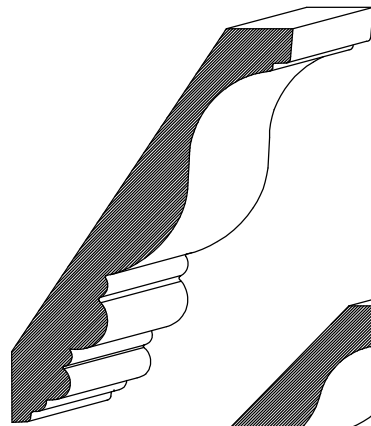


BC-424  
6" x 7 1/4"

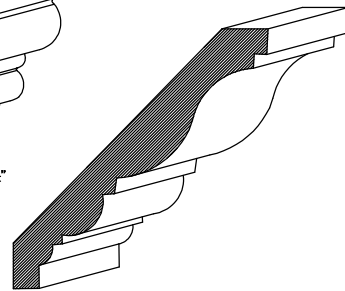


BC-419  
3" x 3 1/4"

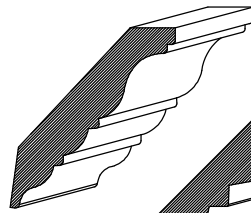
C -19



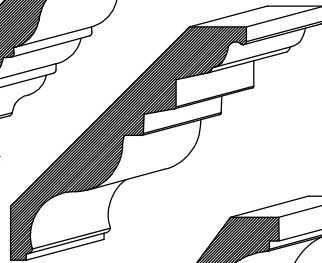
BC-758  
 $1\frac{1}{8}'' \times 7\frac{1}{2}''$



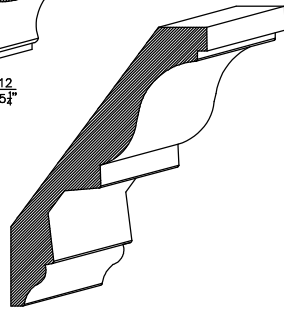
BC-534  
 $\frac{3}{4}'' \times 5\frac{1}{2}''$



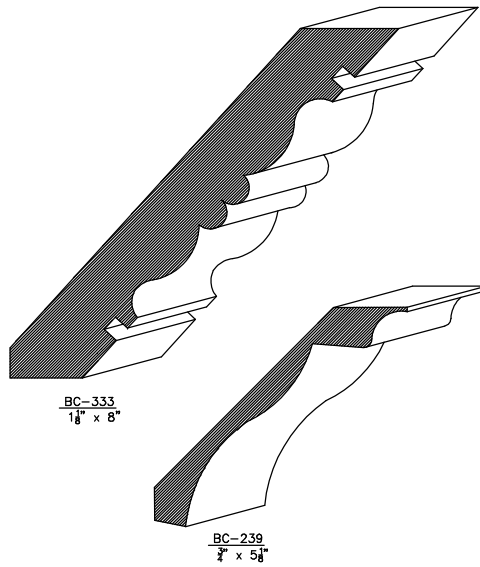
BC-193  
 $\frac{3}{4}'' \times 3\frac{1}{2}''$

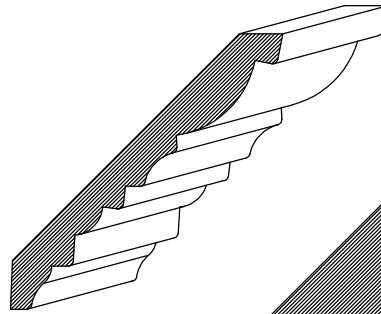


BC-012  
 $\frac{3}{4}'' \times 5\frac{1}{2}''$

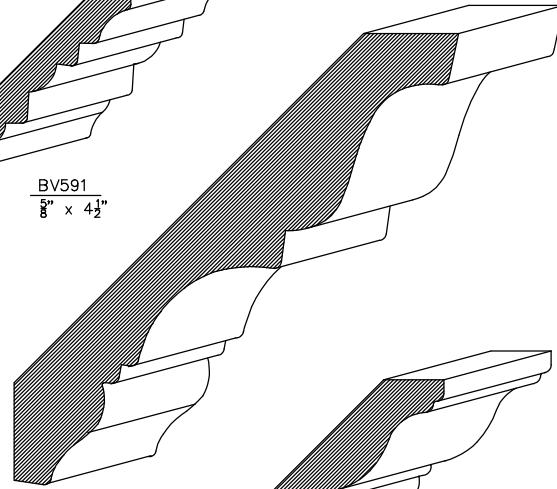


BC-190  
 $\frac{1}{8}'' \times 5\frac{1}{2}''$

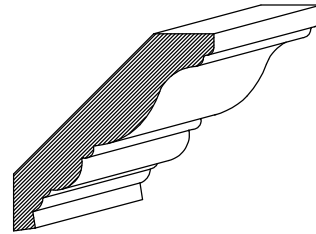




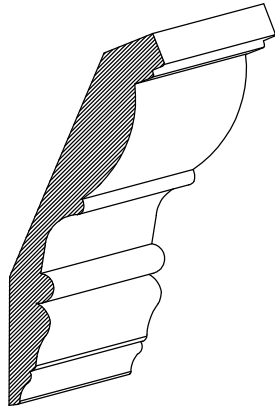
BV591  
 $\frac{5}{8}'' \times 4\frac{1}{2}''$



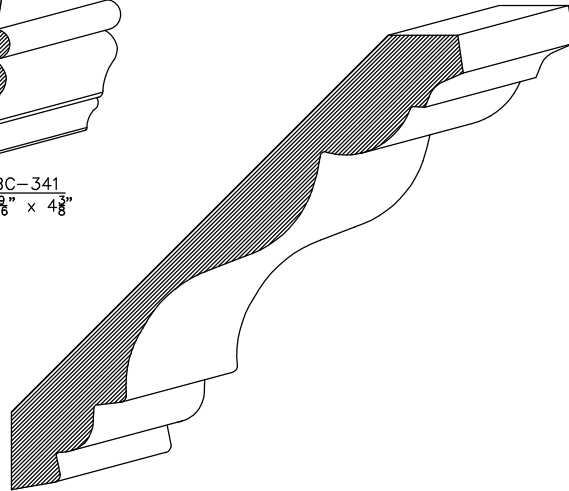
BC-672  
 $1\frac{1}{4}'' \times 7\frac{1}{4}''$



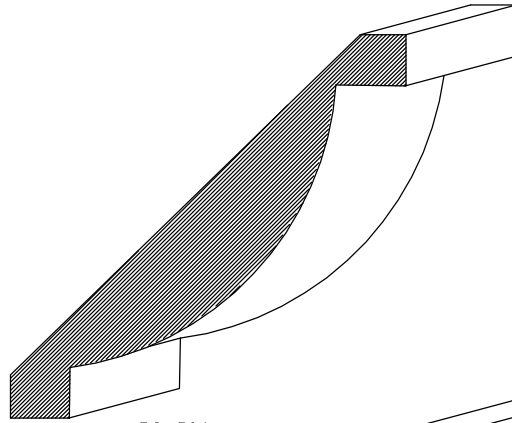
BC-750  
 $\frac{5}{8}'' \times 3\frac{1}{4}''$



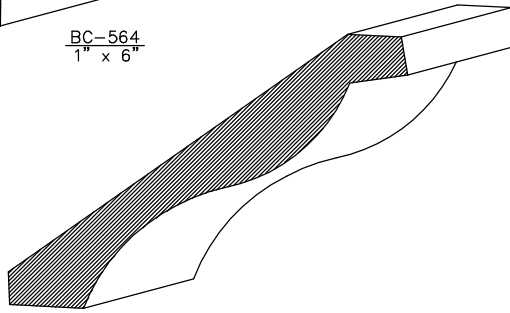
BC-341  
 $\frac{3}{8}'' \times 4\frac{3}{8}''$



BC-699  
 $\frac{3}{8}'' \times 7''$

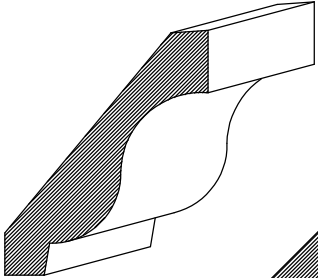


BC-564  
1" x 6"

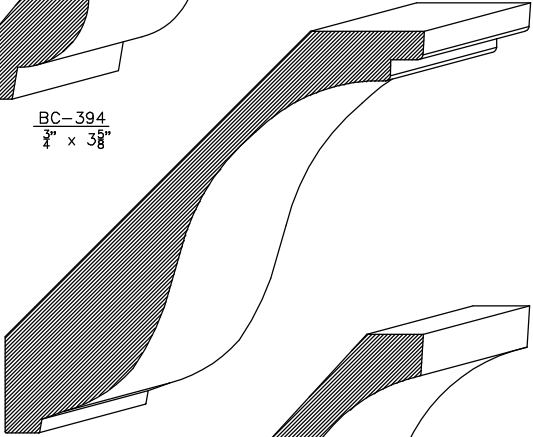


BC-476  
3/4" x 5 1/4"

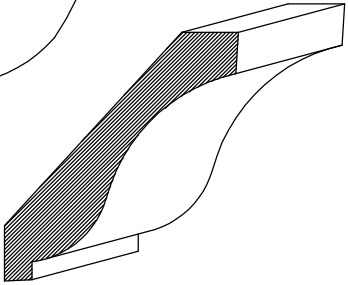




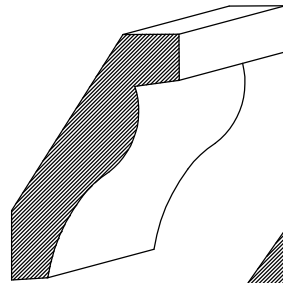
BC-394  
 $\frac{3}{4}$ " x  $3\frac{5}{8}$ "



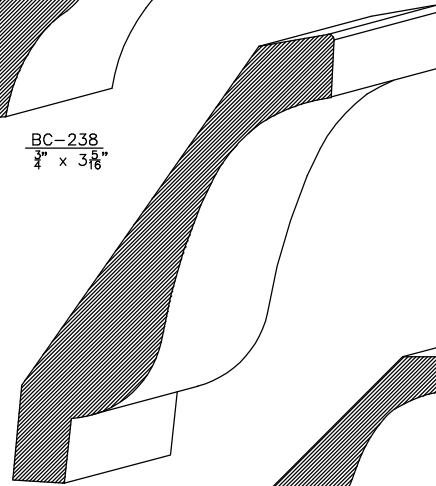
BC-007  
 $1\frac{1}{4}$ " x  $6\frac{1}{2}$ "



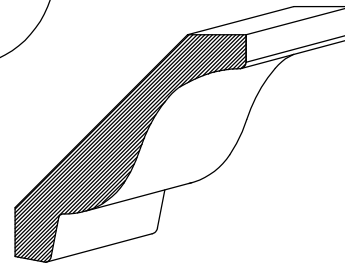
BC-207  
 $\frac{3}{4}$ " x  $3\frac{5}{8}$ "



BC-238  
 $\frac{3}{4}'' \times 3\frac{5}{8}''$

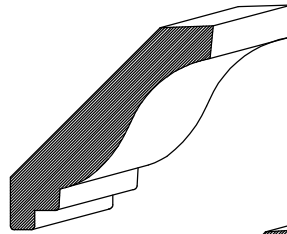


BC-353  
 $\frac{1}{8}'' \times 6\frac{1}{4}''$

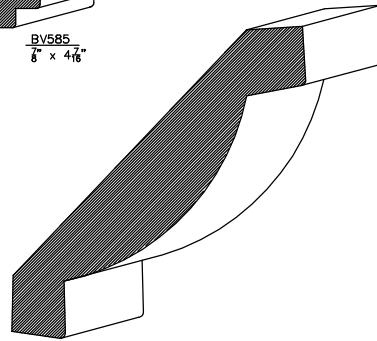


BC-689  
 $\frac{3}{4}'' \times 3\frac{5}{8}''$

C - 27

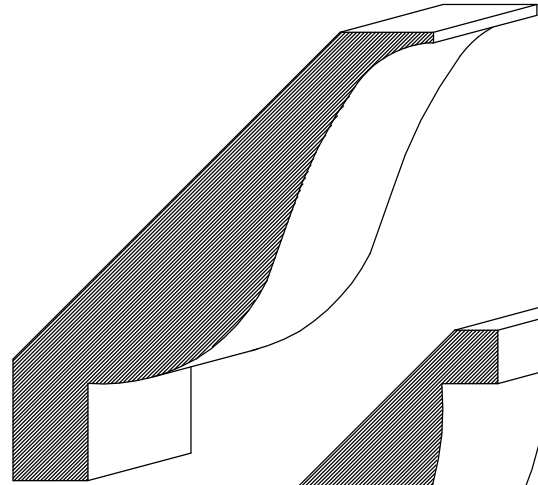


BV585  
 $\frac{7}{8}'' \times 4\frac{7}{16}''$

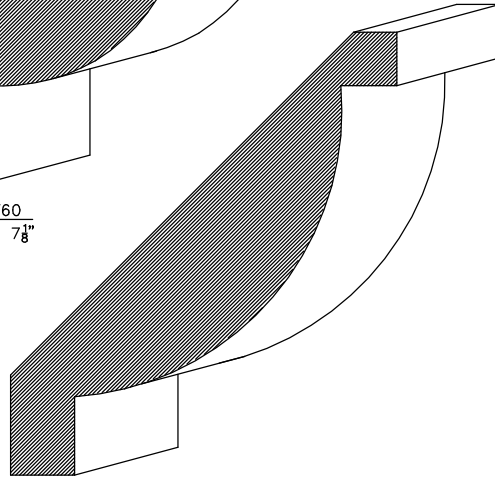


BC-627  
 $1\frac{1}{4}'' \times 6\frac{1}{2}''$

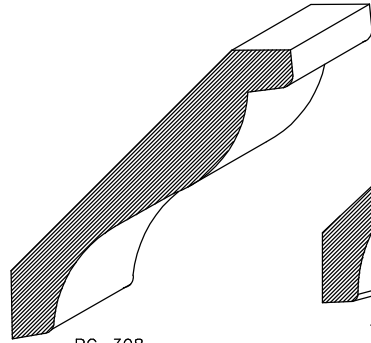
C - 28



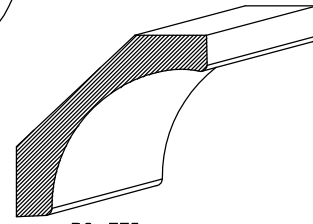
BC-760  
1 7/8" x 7 1/8"



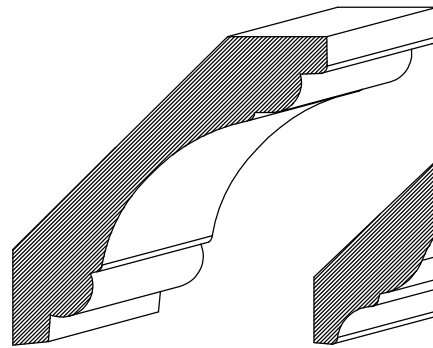
BC-759  
1 1/2" x 6 7/8"



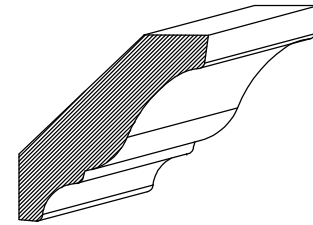
BC-308  
 $\frac{3}{4}'' \times 4\frac{1}{4}''$



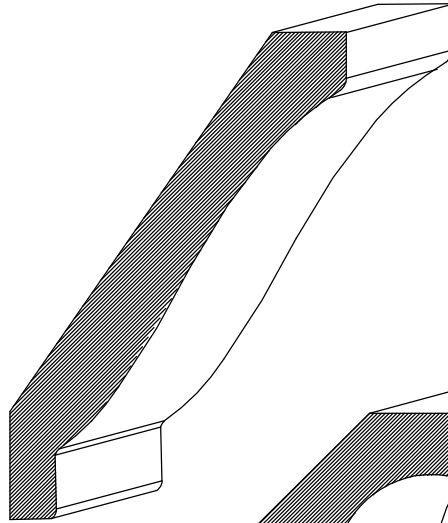
BC-775  
 $\frac{1\frac{3}{8}'' \times 2\frac{7}{8}''$



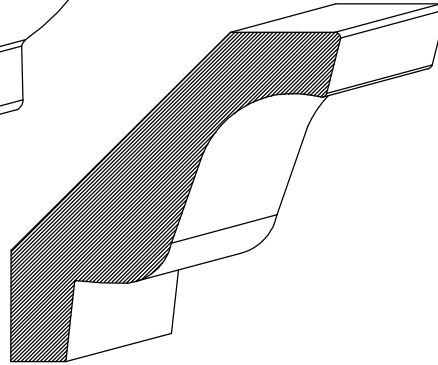
BC-774  
 $1'' \times 4\frac{7}{8}''$



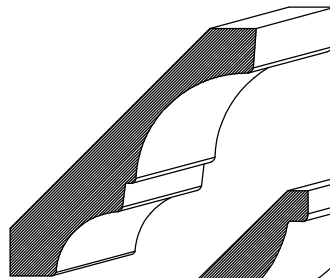
BC-783  
 $\frac{3}{4}'' \times 3''$



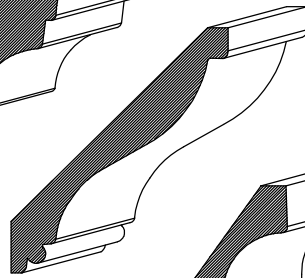
BC-803  
 $1\frac{1}{8}'' \times 6\frac{3}{4}''$



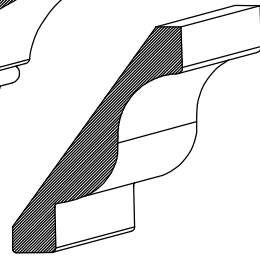
BC-830  
 $1\frac{3}{8}'' \times 5\frac{1}{4}''$



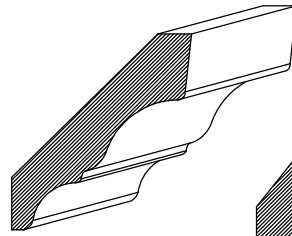
BC-818  
1" x 5 $\frac{1}{8}$ "



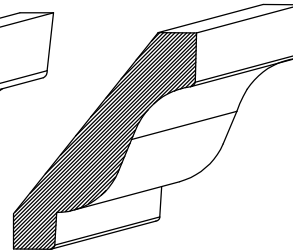
BC-797  
 $\frac{3}{4}$ " x 5"



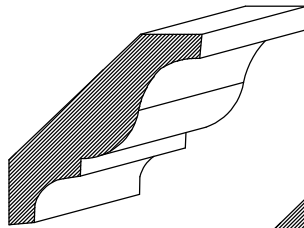
BC-813  
 $\frac{3}{4}$ " x 4 $\frac{1}{8}$ "



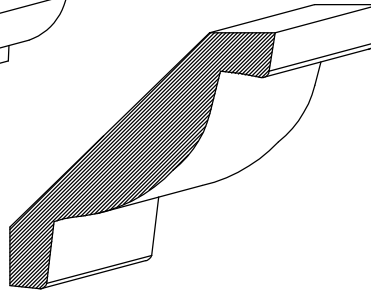
BC-788  
 $\frac{3}{4}'' \times 3\frac{1}{8}''$



BC-816  
 $\frac{11}{16}'' \times 3\frac{7}{16}''$

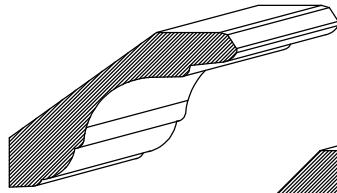


BC-859  
 $\frac{3}{4}'' \times 3\frac{1}{8}''$

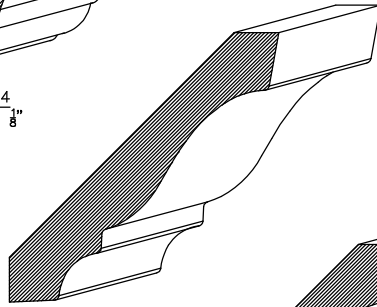


BC-864  
 $\frac{13}{16}'' \times 4\frac{1}{8}''$

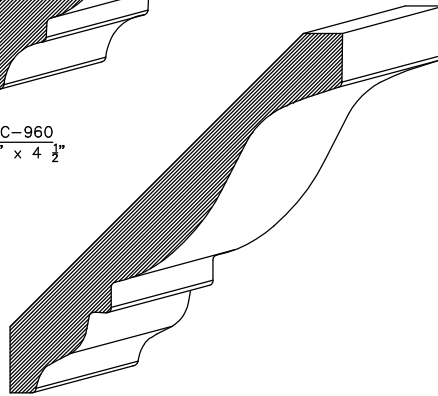




BC-954  
 $1'' \times 3 \frac{1}{8}''$

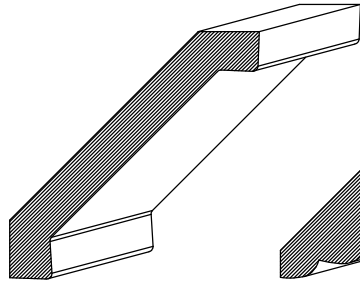


BC-960  
 $\frac{3}{4}'' \times 4 \frac{1}{2}''$

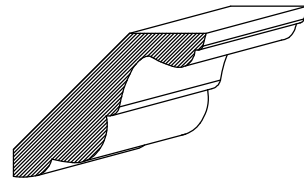


BC-957  
 $\frac{13}{16}'' \times 5 \frac{1}{8}''$

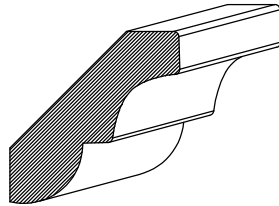
C - 34



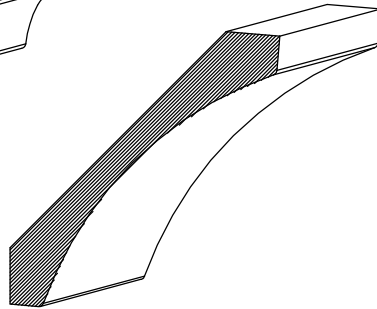
BC-894  
 $\frac{13}{16}'' \times 4 \frac{3}{16}''$



BC-981  
 $\frac{15}{16}'' \times 2 \frac{7}{8}''$

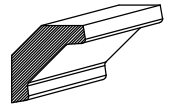


BC-915  
 $\frac{13}{16}'' \times 2 \frac{13}{16}''$

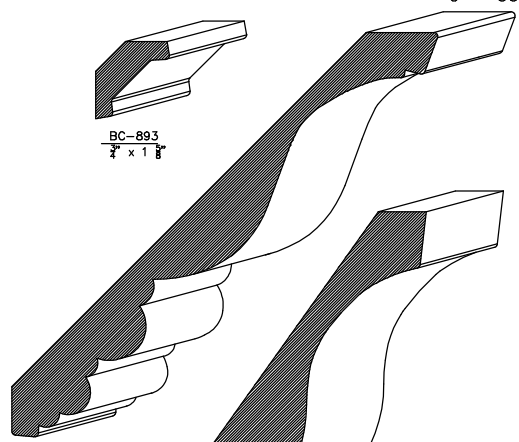


BC-909  
 $\frac{3}{4}'' \times 4 \frac{9}{16}''$

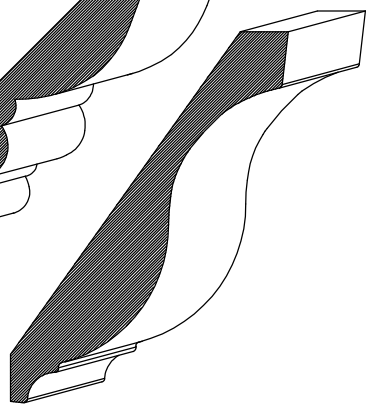
C - 35



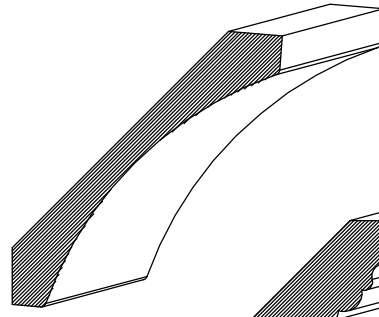
BC-893  
 $\frac{1}{2}'' \times 1 \frac{1}{8}''$



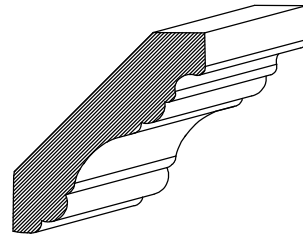
BC-965  
 $1 \frac{1}{16}'' \times 9 \frac{1}{8}''$



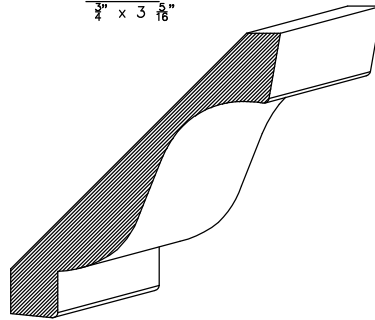
BC-925  
 $1'' \times 7 \frac{1}{4}''$



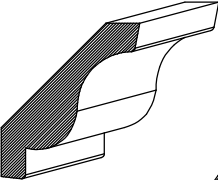
BC-909  
 $\frac{3}{4}'' \times 4 \frac{5}{16}''$



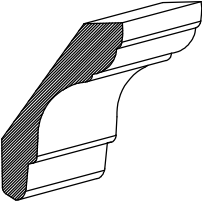
BC-950  
 $\frac{3}{4}'' \times 3 \frac{5}{16}''$



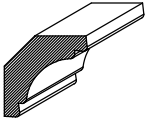
BC-913  
 $\frac{3}{4}'' \times 4 \frac{5}{8}''$



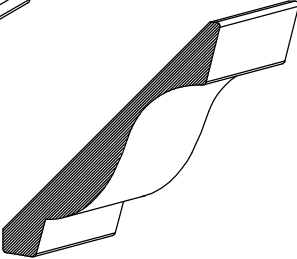
BC-914  
 $\frac{1}{8}'' \times 3 \frac{1}{8}''$



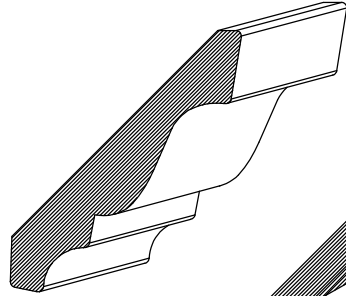
BC-956  
 $\frac{1}{8}'' \times 3 \frac{1}{8}''$



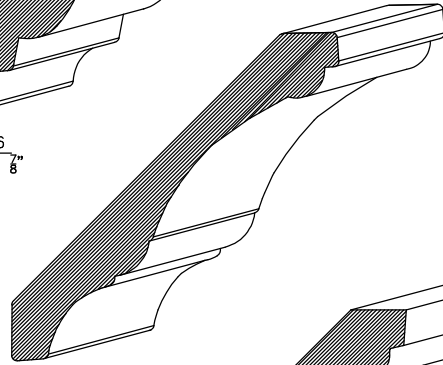
BC-881  
 $\frac{1}{8}'' \times \frac{1}{2}''$



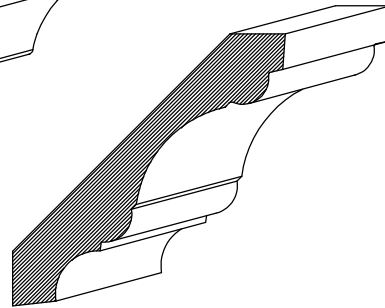
BC-885  
 $\frac{1}{2}'' \times 4 \frac{1}{2}''$



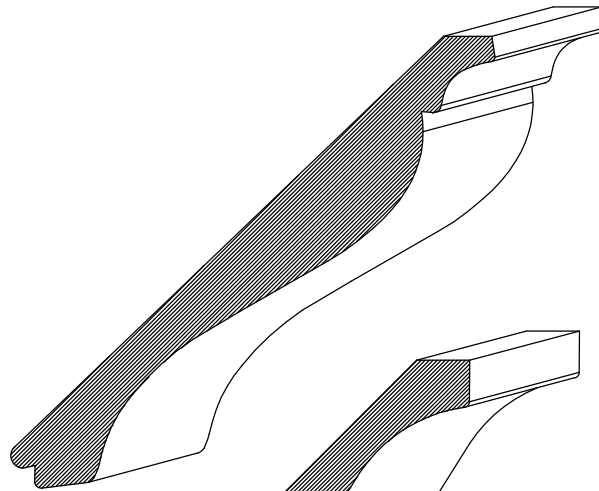
BC-886  
 $\frac{11}{16}'' \times 3 \frac{7}{8}''$



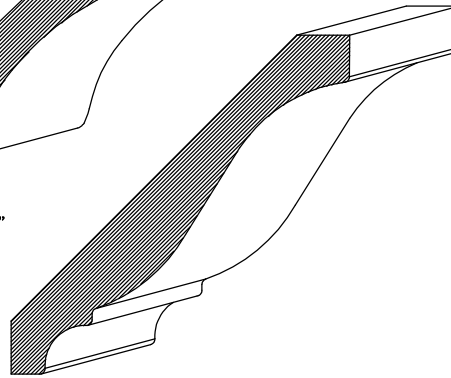
BC-936  
 $\frac{3}{4}'' \times 5 \frac{1}{4}''$



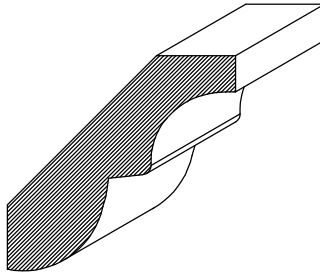
BC-984  
 $\frac{3}{4}'' \times 4 \frac{7}{16}''$



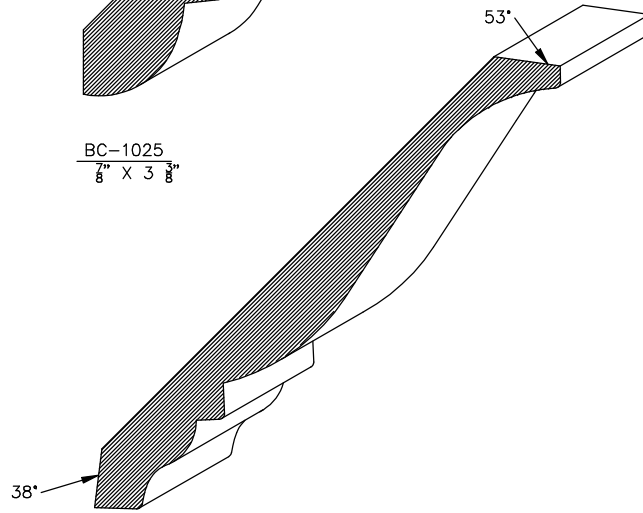
BC-992  
1" X 7 <sup>1</sup>/<sub>16</sub>"



BC-1014  
3/4" X 5 <sup>1</sup>/<sub>4</sub>"

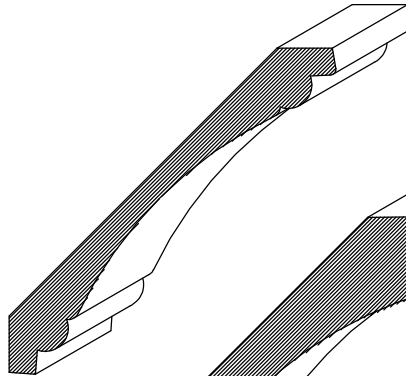


BC-1025  
 $\frac{7}{8}$ " X  $3 \frac{3}{8}$ "

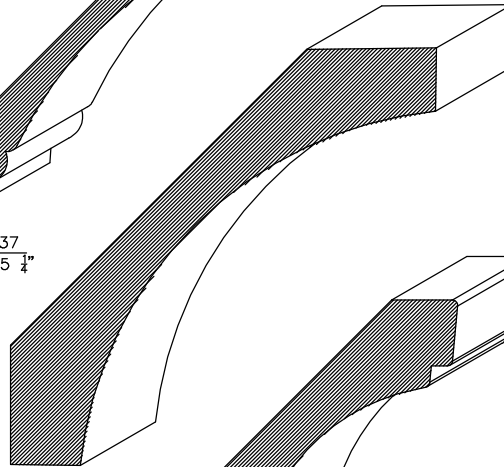


BC-1031  
 $\frac{3}{4}$ " X  $6 \frac{15}{16}$ "

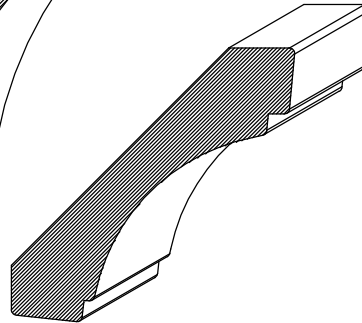




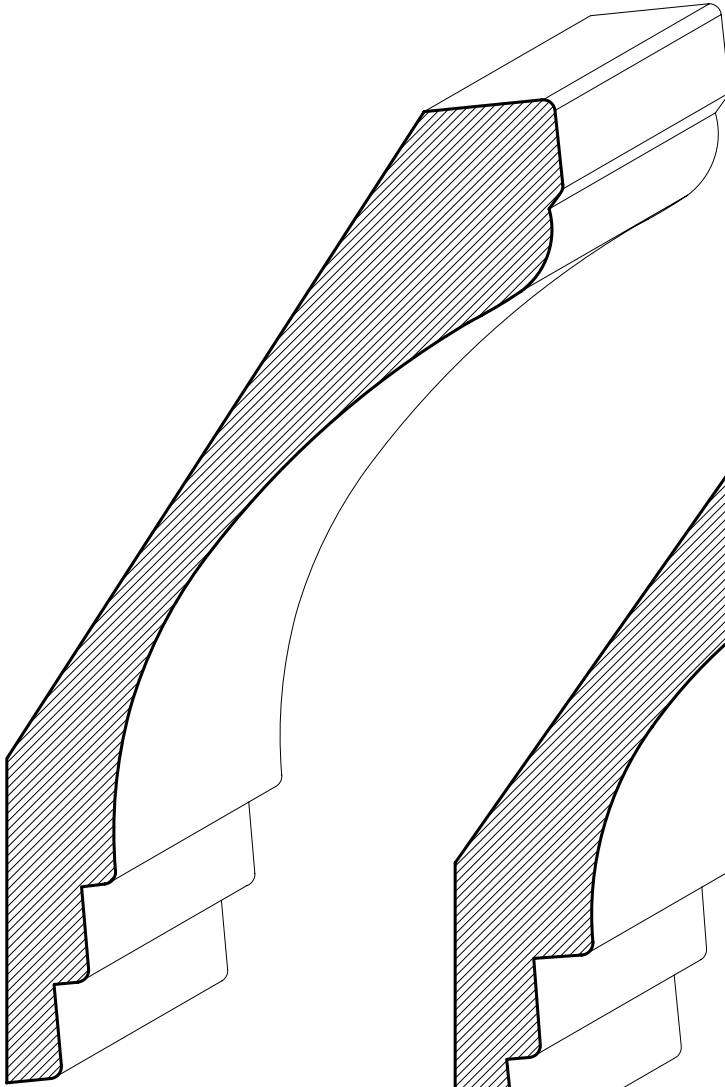
BC-1037  
 $\frac{5}{8}'' \times 5 \frac{1}{4}''$



BC-1047  
 $1 \frac{1}{2}'' \times 6 \frac{7}{8}''$

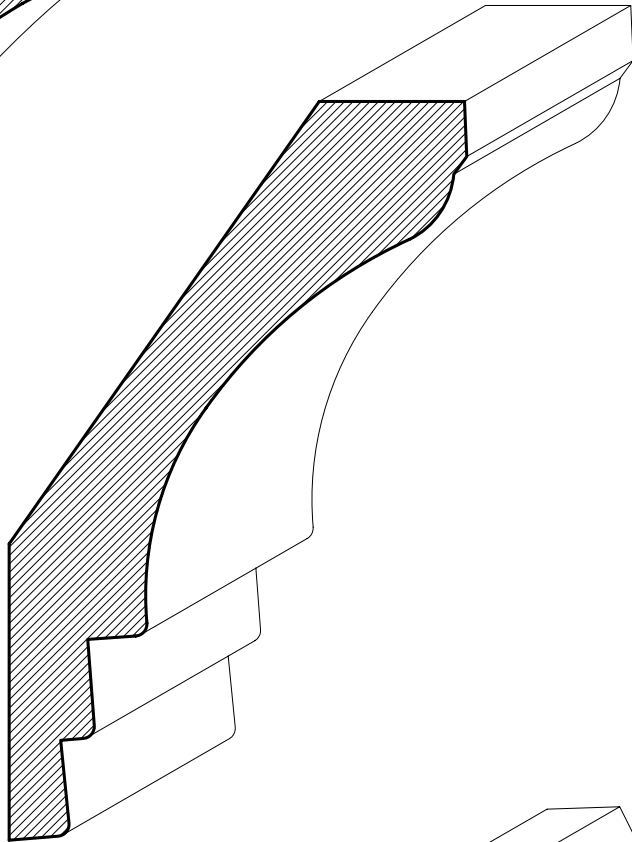


BC-1035  
 $1'' \times 4 \frac{7}{16}''$



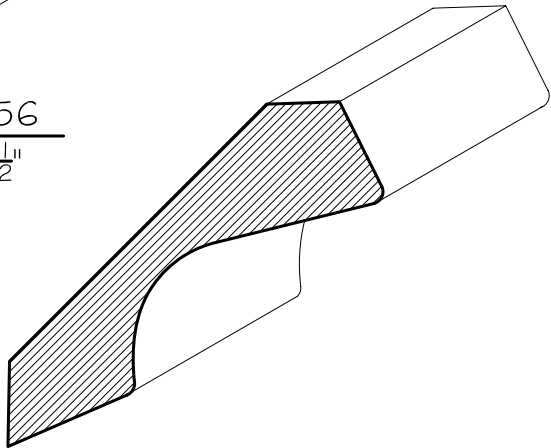
BC-1064

1" X 5 $\frac{3}{4}$ "



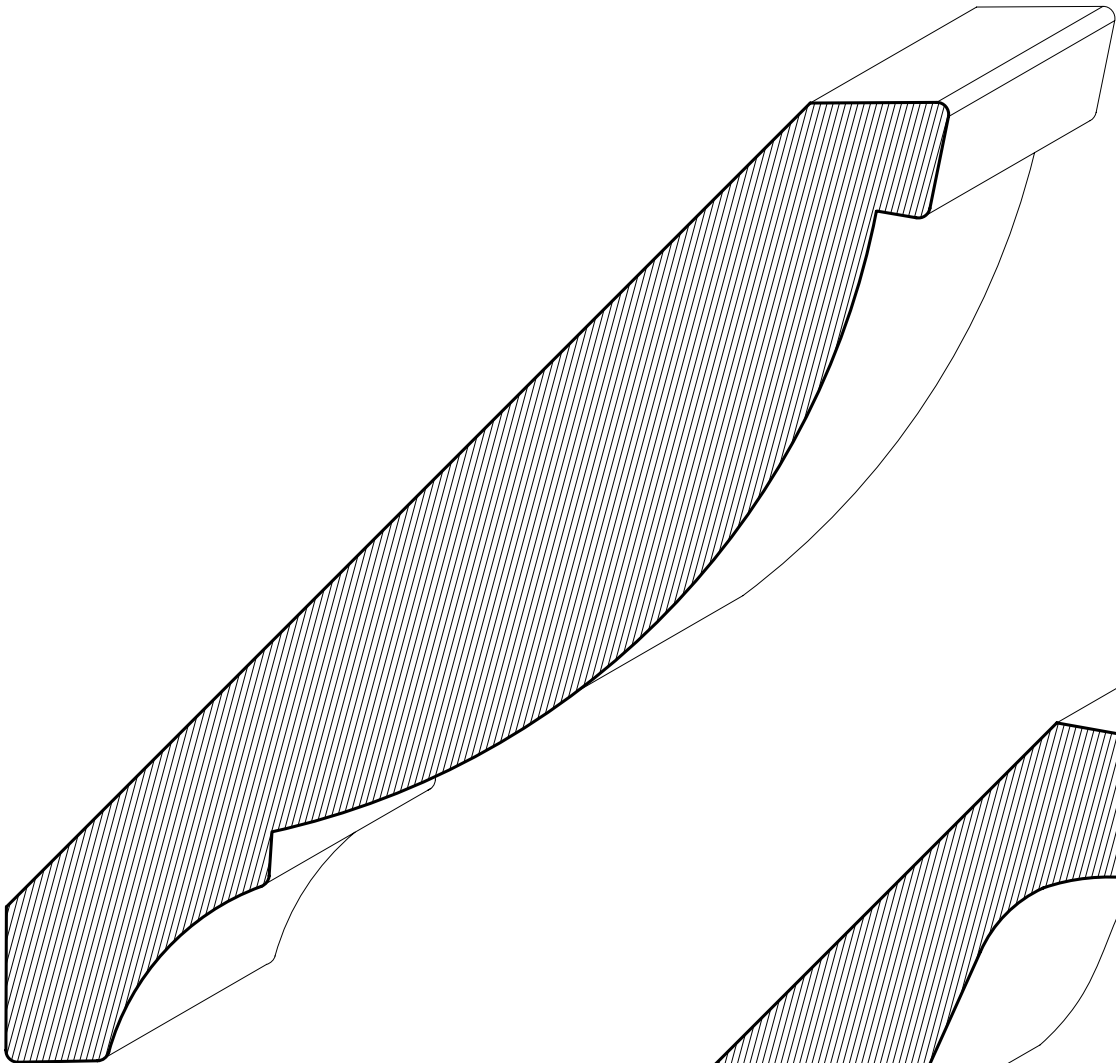
BC-1056

$\frac{13}{16}$ " X 4 $\frac{1}{2}$ "

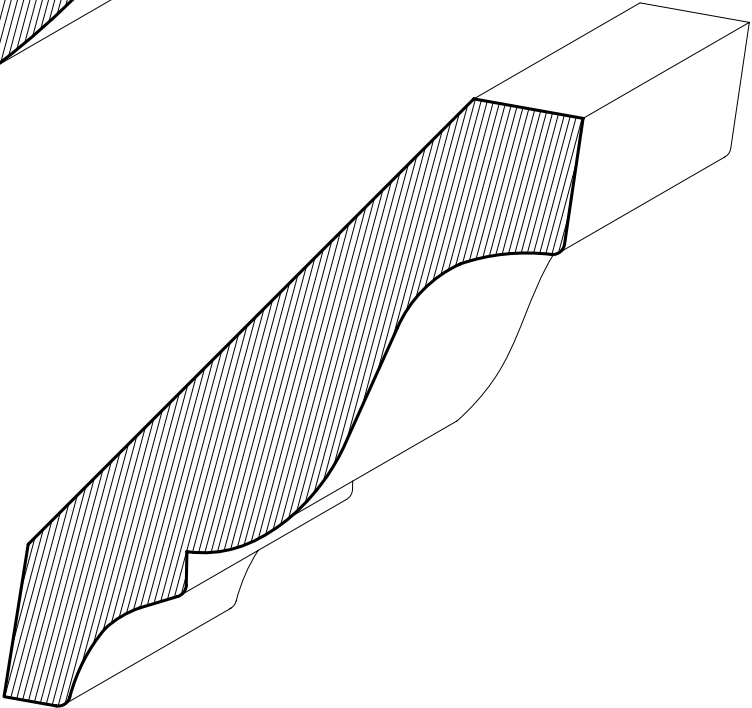


BC-1073

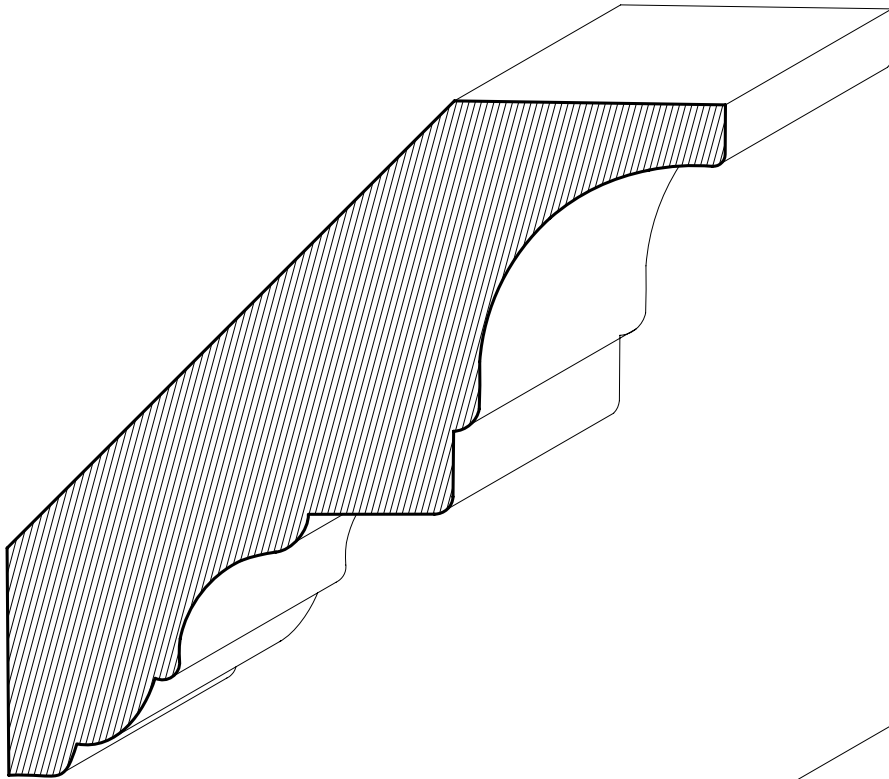
$\frac{3}{4}$ " X 2 $\frac{1}{2}$ "



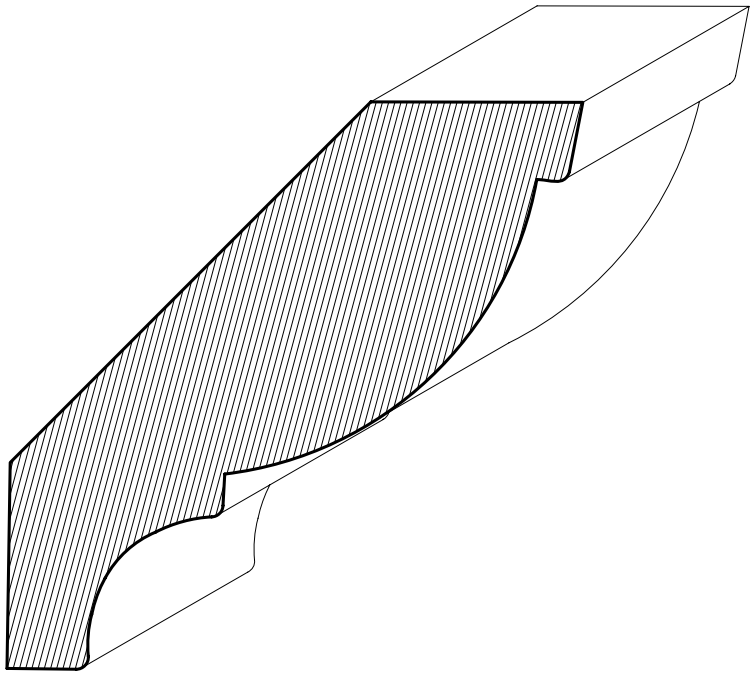
BC-1050  
 $1 \frac{3}{8}'' \times 6 \frac{5}{16}''$



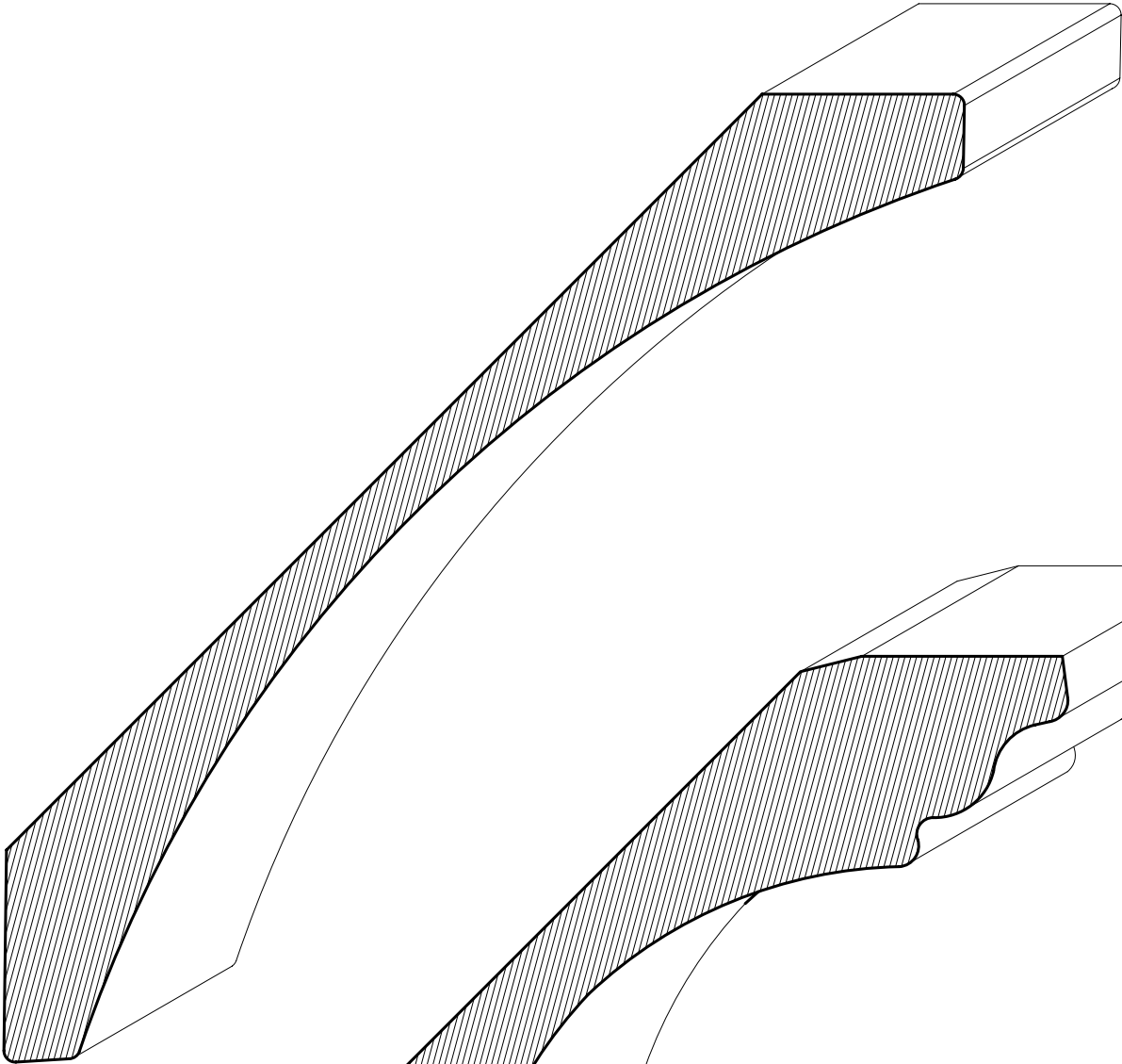
BC-1052  
 $\frac{7}{8}'' \times 4 \frac{1}{4}''$



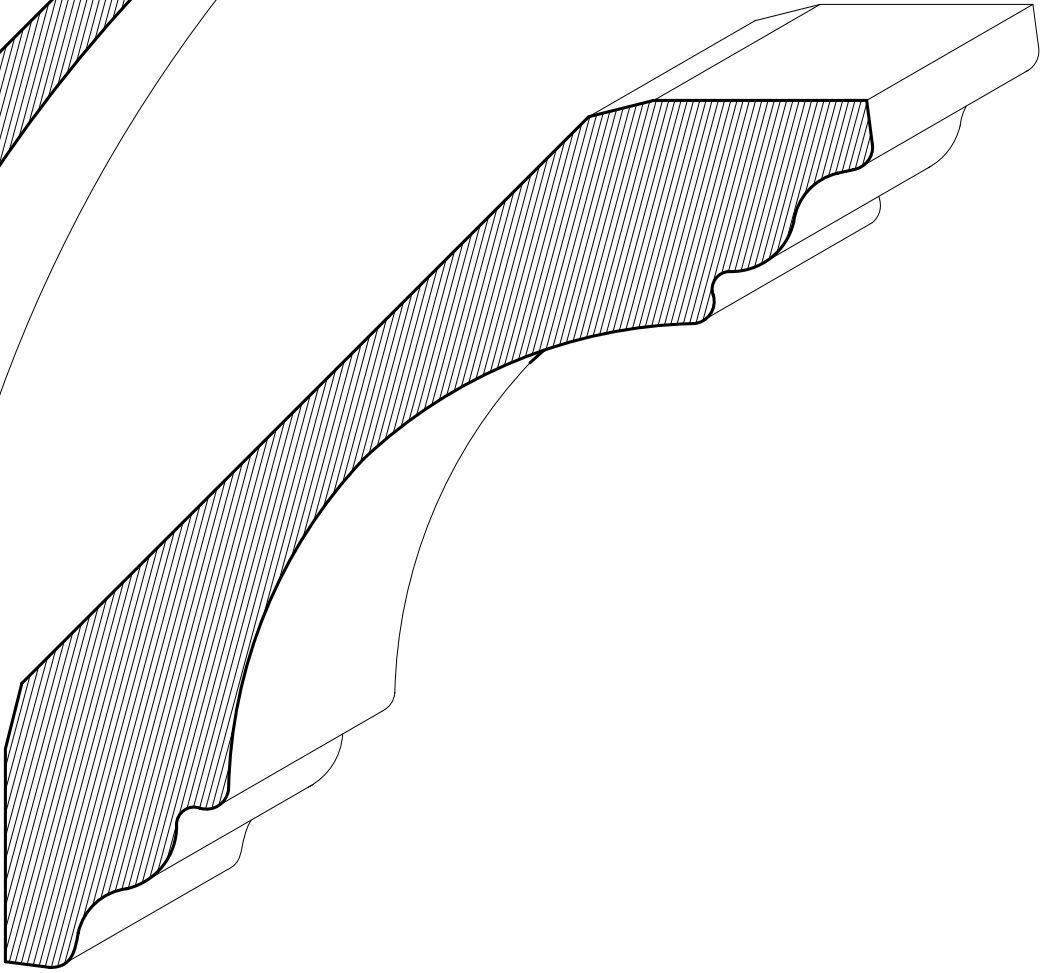
BC-1053  
 $1 \frac{1}{2}'' \times 5 \frac{1}{4}''$



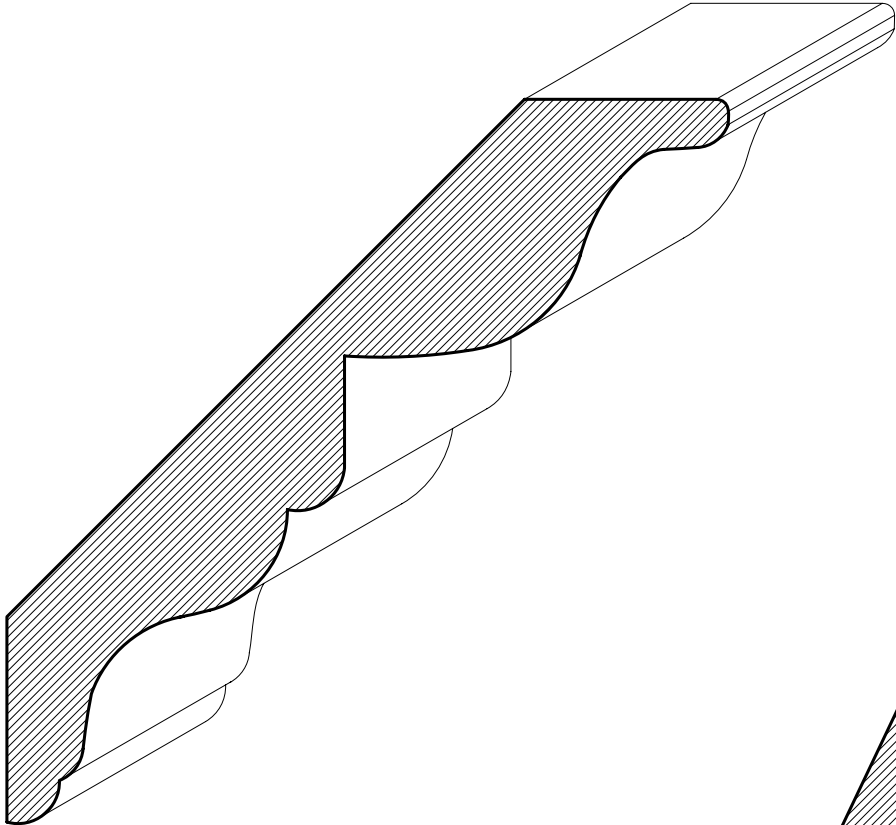
BC-1051  
 $1 \frac{1}{4}'' \times 4 \frac{1}{4}''$



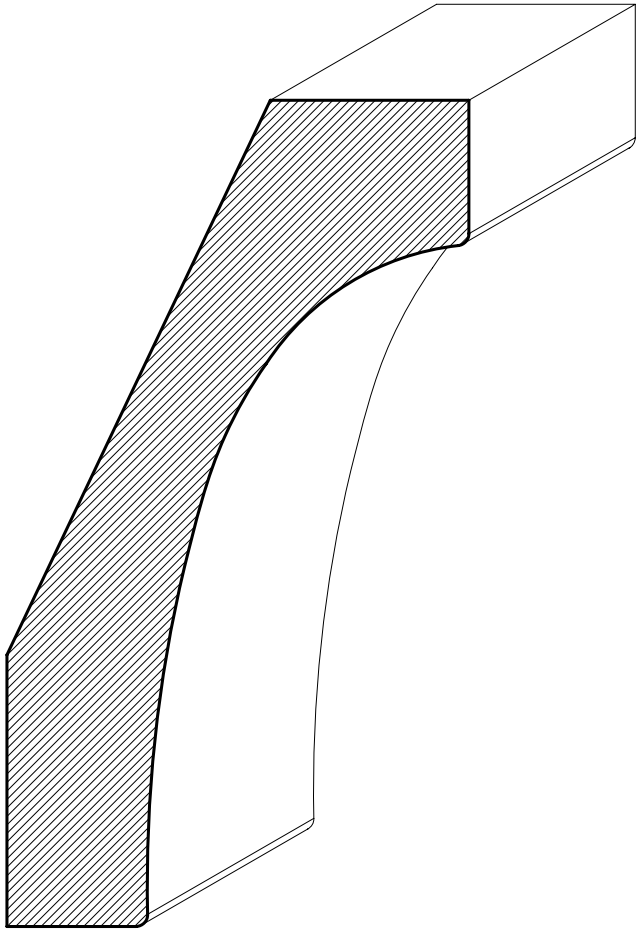
BC-1072  
 $1 \frac{1}{16}'' \times 7 \frac{1}{2}''$



BC-1071  
 $1 \frac{1}{4}'' \times 6 \frac{1}{4}''$



BC-1106  
 $\frac{7}{8}'' \times 5 \frac{1}{4}''$



BC-1094  
 $1 \frac{1}{4}'' \times 4 \frac{15}{16}''$